



METIS 900 OPHTHALMIC MICROSCOPE SYSTEM

Your surgical control center

Look closer. See further.

 **HAAG-STREIT**
SURGICAL

METIS 900

Your surgical control center

The Haag-Streit METIS ophthalmic microscope system combines over a century of optical excellence with efficient workflow and proper ergonomics.

It takes a great team to deliver the best surgical outcomes, all supported by a durable and dependable microscope. Put your trust in METIS: designed to give you unparalleled control over your procedures, your health, and your investment – all from one central point.

Optics + design = superior optical experience

Haag-Streit has manufactured quality optics for over a century. Consequently, our vast experience and know-how mean that we're perfectly positioned to understand your requirements and deliver a tailored solution to meet your individual needs. Using the latest technology and production processes, Haag-Streit controls the design, manufacture, and servicing of every element of the METIS.

Every aspect is engineered from the ground-up to deliver user confidence. Fusing intuitive workflow and sustainable LED lighting with a compact design, and world-renowned Haag-Streit optics: the result is modern, innovative, yet reassuringly familiar. Expect nothing less than a superior optical experience with METIS.

Future-proof

With a modular design, METIS is equipped to offer you a natural pathway to take advantage of innovative technologies such as 3D digital heads-up. The result: complete control over your investment, with the freedom to evolve your METIS solution when you're ready.



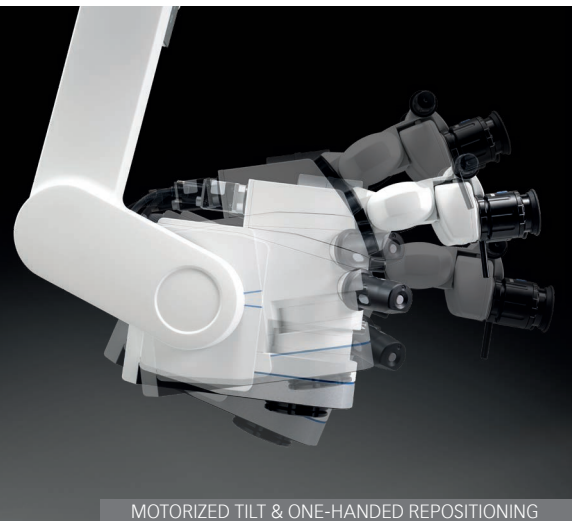


COAXIAL RED REFLEX

COAXIAL RED REFLEX

Stable & brilliant red reflex

Your microscope – as a visualization instrument – is an extension of your eyes. With its optimized coaxial red reflex, METIS puts control exactly where you need it. From capsulorhexis to nuclear disassembly and capsular polishing: enjoy a stable, bright, homogenous red reflex and great contrast, even during low light levels. Precision optics deliver superior clarity, reliable color reproduction, optimum light transmission, and a large depth-of-field.

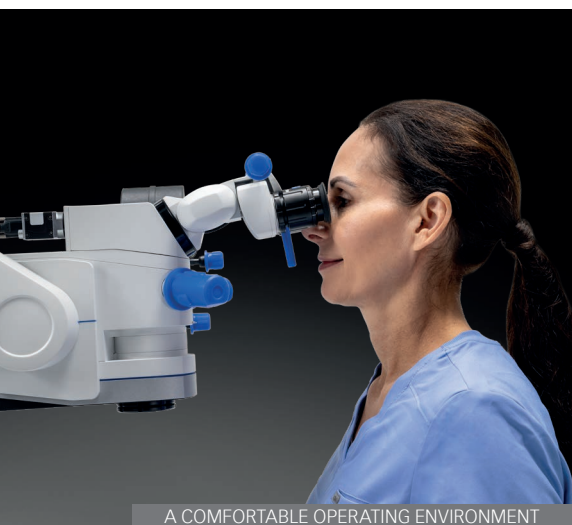


MOTORIZED TILT & ONE-HANDED REPOSITIONING

MOTORIZED TILT & ONE-HANDED REPOSITIONING

Designed with the glaucoma surgeon in mind

METIS puts you in complete control of your glaucoma positioning – without compromising speed or safety. Simply activate the motorized tilt at the touch of a button to effortlessly position your viewing angle. An innovative adaptation to the binoculars allows one-handed repositioning with a sterile cover – the result: smooth and effortless workflow for MiGS procedures.



A COMFORTABLE OPERATING ENVIRONMENT

A COMFORTABLE OPERATING ENVIRONMENT

Proper ergonomics

METIS re-envisioned outstanding ergonomics, delivering a more comfortable working experience. The binoculars are brought forward towards you, allowing you to adopt good posture and sit upright with your head above the shoulders – relieving pressure on your neck, back, and spine – and providing a comfortable operating environment. This, plus motorized tilting and a smart design to maximize your working space, ensures you can enjoy freedom of movement all day long.

PROGRAMMABLE FOOT & HAND SWITCHES

Efficient control

Effortlessly tilt, filter, focus, and zoom at the touch of a button – or the tap of your foot. Efficient workflow is embedded into METIS, bringing greater productivity to your working days. Motorized features, activated by a touch of the hand switch, replace cumbersome knobs, while the foot switch offers wireless control of up to 14 functions.



PROGRAMMABLE FOOT & HAND SWITCHES

BRILLIANT ILLUMINATION

LED: The sustainable choice

Choosing products with a lower carbon footprint is imperative in today's world. Haag-Streit takes sustainability very seriously, which is why the METIS naturally includes the most efficient light source available: LED.

LED emits less heat and consumes significantly less energy than traditional xenon or halogen equivalents – giving you all the benefits of brilliant illumination during surgery while being more environmentally friendly, taking you one step closer to a greener OR.

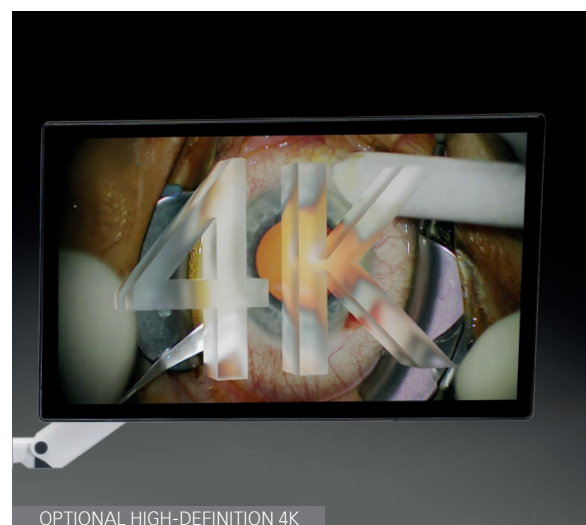


BRILLIANT ILLUMINATION

OPTIONAL HIGH-DEFINITION 4K

Visualize & document in high-resolution

From documenting scenes for case review or collaborating in real-time: high-definition 4K visualization provides superb color, clarity, and crispness over all your surgical procedures. Your surgical monitor is ergonomically positioned for optimum working practice, with a 27" display and intuitive touchscreen for one central point of control.



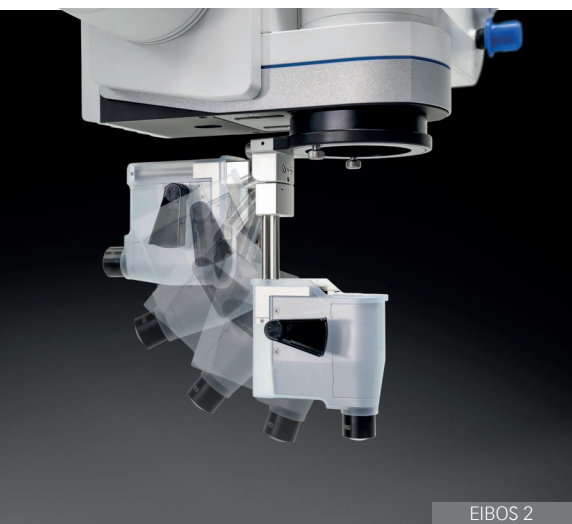
OPTIONAL HIGH-DEFINITION 4K



ASSISTANT MICROSCOPE

Supporting surgical teaching & training

METIS offers an assistant microscope, creating a collaborative learning environment that supports academic centers in their quest for efficient teaching and training. The trainee has the freedom to customize their magnification and focus independently from the main microscope, accelerating autonomous learning.



EIBOS 2

Wide-angle fundus visualization

Fundus observation is made easy with the EIBOS 2 system. It's simple to fit and easy to use, with an integrated inverter that does not add complexity or height to the microscope. The wide-field lenses provide a clear and crisp wide-view for your core vitrectomy, while an optional macular lens is easily exchanged. In summary: excellent visualization in one easy-to-handle device.



RECORDING & DOCUMENTATION SOFTWARE

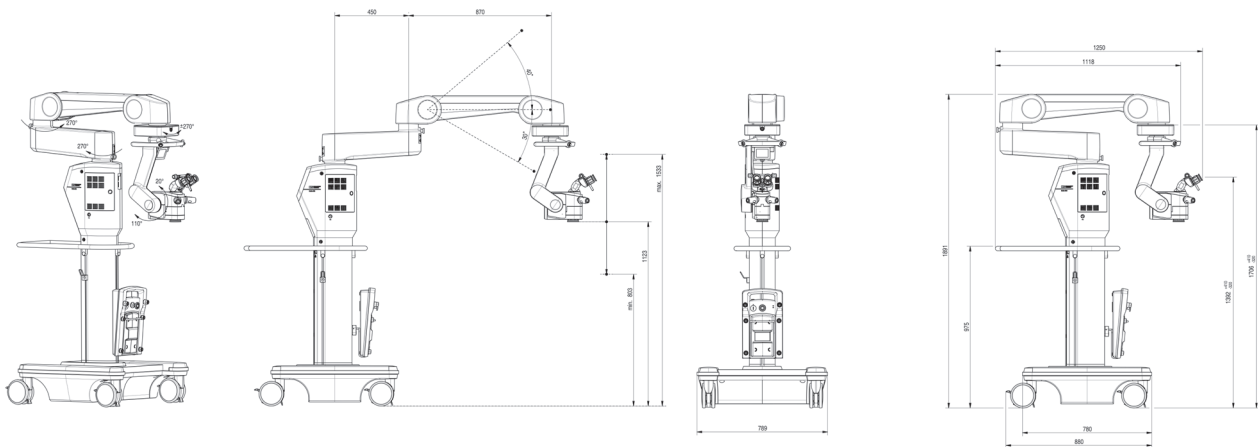
Microscope Imaging & Operation System (MIOS)

Developed in collaboration with surgeons and users, MIOS features interactive menus to guide your team effortlessly through the surgical workflow. Through its simple-to-operate dashboard, MIOS allows you to create profiles for surgeons and patients, record procedures, and maintain your system settings – all from a swipe of your 27" touchscreen display.

METIS 900

Technical specifications

Operating microscope	METIS 900
Optics	Apochromatic properties
Stereo base	25 mm
Focusing	+17 mm to -33 mm
Working distance	200 mm or 175 mm
Magnification (motorized zoom 1:6x)	200: 3.9 x - 23.2 x 175: 4.4 x - 26.6 x
Depth of field	Integrated DoF adjustment (motorized)
Diameter visual field	200: 9.00 - 54.2 mm 175: 7.9 - 47.4 mm
Illuminated field	200: 15 mm or 58 mm 175: 13 mm or 50 mm
Assistant Scope (optional)	160°, 12.5x oculars
Inclinable eyepiece head	200°, 10x wide angle oculars or 160°, 10x wide angle oculars
Diopter settings	+5 D to -8 D
Inclination	-20° to + 110° (motorized)
Microscope rotation	540°
X-Y coupling	60 mm x 60 mm
Illumination	LED Coaxial red reflex illumination Slit & spot
Retina protection filter	Yes
Filters	Blue light, soft light (motorized)
Pupillary distance	55 - 75 mm
Hand switch x2	4 programmable buttons x2



Brakes	Electromagnetic
Foot switch	14 functions
Floor stand carriage	798 x 880 mm
Arm reach (max.)	1320 mm
Swivel area of floor stand arm	2x 270°
Door height	1891 mm
Floor stand carriage	789 mm x 880 mm
Carrying capacity	20 kg
Balancing	Mechanical
Height at oculars	1072 - 1802 mm (delta > 730 mm)
Operating voltage	100 - 120 V/220 - 240 V, 50/60 Hz
Max. power consumption	450 VA
Weight	315 kg
Recording resolution	4k



HAAG-STREIT AG

Gartenstadtstrasse 10

3098 Koeniz

Switzerland

Phone +41 31 978 01 11

Fax +41 31 978 02 82

info@haag-streit.com

www.haag-streit.com